

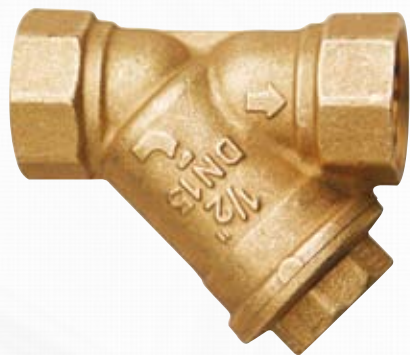


CATALOGO TECNICO
TECHNICAL CATALOGUE



Y STRAINERS
Y STRAINERS

VOCI DI CAPITOLATO - TECHNICAL FEATURES



Attacchi filettati femmina/femmina e tappo d'ispezione.
Corpo in ottone.

Temperatura minima e massima d'esercizio:
-20°C, 110°C in assenza di vapore.

Grado di filtrazione:
da 1/4" a 2" 500µm; 2 1/2, 3" e 4" 800µm.

Attacchi filettati ISO228
(equivalente a DIN EN ISO 228 e BS EN ISO 228).

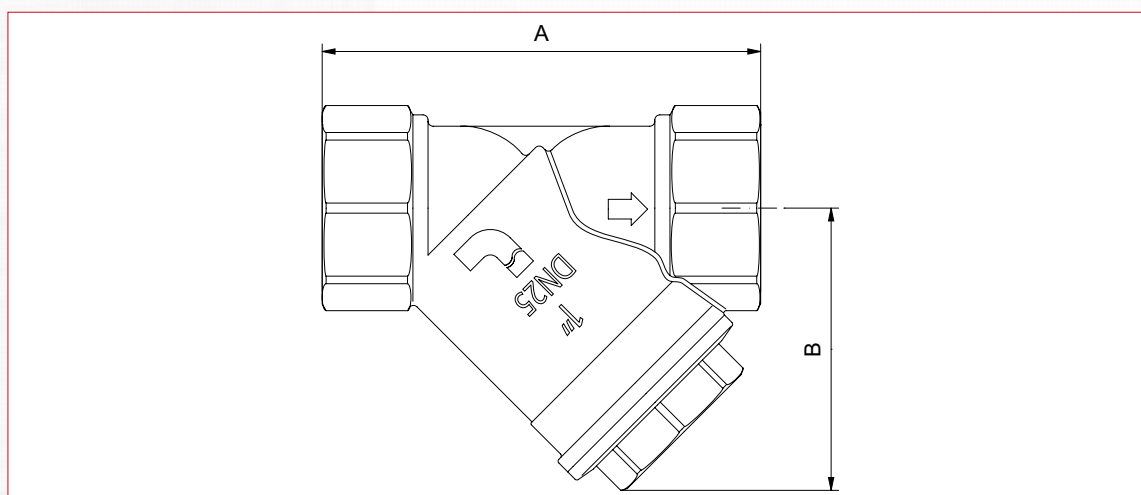
*Female/female threads and inspection plug.
Body in brass.*

Filtration degree:
1/4" through 2" 500µm; 2 1/2, 3" and 4" 800µm.

*Threads: ISO228
(equivalent to DIN EN ISO 228 and BS EN ISO 228).*

MISURA/SIZE	1/4" (DN 8)	3/8" (DN 10)	1/2" (DN 15)	3/4" (DN 20)	1" (DN 25)	1 1/4" (DN 32)	1 1/2" (DN 40)	2" (DN 50)	2 1/2" (DN 65)	3" (DN 80)	4" (DN 100)
PRESSIONE/PRESSURE	20bar/290psi	20bar/290psi	20bar/290psi	20bar/290psi	20bar/290psi	20bar/290psi	20bar/290psi	20bar/290psi	16bar/232psi	16bar/232psi	16bar/232psi
CODICE/COE	1920014	1920038	1920012	1920034	1920100	1920114	1920112	1920200	1920212	1920300	1920400
IMBALLO/PACKING	20/260	20/260	20/160	10/130	8/64	5/60	2/36	2/28	1/16	1/10	1/4

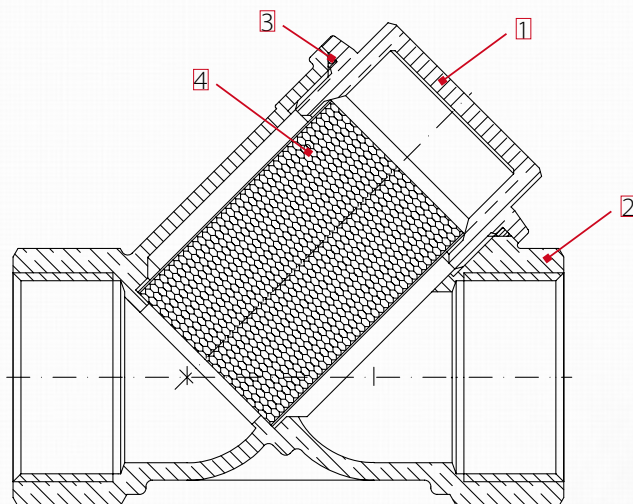
QUOTE DI INGOMBRO - DRAWING



MISURE / SIZE	1/4"	3/8"	1/2"	3/4"	1"	1 1/4"	1 1/2"	2"	2 1/2"	3"	4"
DN	8	10	15	20	25	32	40	50	65	80	100
A (mm)	55	55	58	70	87	96	106	126	150	169	219
B (mm)	40	40	40	48	56	64	73	89	107	120	161
PRESS. ATMOSF./WORK. PRESS. Kg/cm ² - bar	20	20	20	20	20	20	20	20	16	16	16
PRESS. ATMOSF. - PSI LBS WORK. PRESS	290	290	290	290	290	290	290	290	240	240	240



SCHEDA MATERIALI - MATERIALS



POS.	DESCRIZIONE/DESCRIPTION	Q.TÀ/N.	MATERIALE/MATERIAL
1	Manicotto / End adapter	1	Ottone / Brass CW617N
2	Corpo / Body	1	Ottone / Brass CB753S
3	Guarnizione / O-ring	1	Or NBR / NBR - 70SH/A
4	Filtro / Strainer	1	Acciaio / Steel AISI 304

CARTUCCIA - CARTRIDGE

192CA



Grado di filtrazione: da 1/4" a 2" 500µm; 2"1/2, 3" e 4" 800µm.

Filtration degree: 1/4" through 2" 500µm; 2"1/2, 3" and 4" 800µm.

MISURA/SIZE	1/4" (DN 8)	3/8" (DN 10)	1/2" (DN 15)	3/4" (DN 20)	1" (DN 25)	1"1/4 (DN 32)	1"1/2 (DN 40)	2" (DN 50)	2"1/2 (DN 65)	3" (DN 80)	4" (DN 100)
CODICE/CODE	192CA014	192CA014	192CA014	192CA034	192CA100	192CA114	192CA112	192CA200	192CA212	192CA300	192CA400

Certificazioni- Certifications



VOCI DI CAPITOLATO - TECHNICAL FEATURES



Attacchi filettati femmina/femmina e tappo d'ispezione.
Corpo in ottone nichelato.

Temperatura minima e massima d'esercizio:
-20°C, 110°C in assenza di vapore.

**Disponibile in tre gradi di filtrazione:
500µm, 300µm and 50µm.**

Attacchi filettati ISO228
(equivalente a DIN EN ISO 228 e BS EN ISO 228).

*Female/female threads and inspection plug.
Body in nickel-plated brass.*

**Available in 3 filtration degrees:
500µm, 300µm and 50µm.**

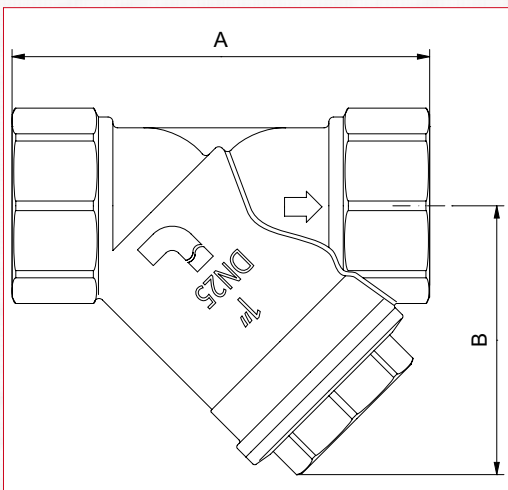
*Threads: ISO228
(equivalent to DIN EN ISO 228 and BS EN ISO 228).*

MISURA/SIZE	1/4" (DN 8)	3/8" (DN 10)	1/2" (DN 15)	3/4" (DN 20)	1" (DN 25)	1 1/4" (DN 32)	1 1/2" (DN 40)	2" (DN 50)
PRESSIONE/PRESSURE	20bar/290psi	20bar/290psi	20bar/290psi	20bar/290psi	20bar/290psi	20bar/290psi	20bar/290psi	20bar/290psi
CODICE/CODE	1930014	1930038	1930012	1930034	1930100	1930114	1930112	1930200
IMBALLO/PACKING	20/260	20/260	20/160	10/130	8/64	5/60	2/36	2/28

MISURA/SIZE	1/4" (DN 8)	3/8" (DN 10)	1/2" (DN 15)	3/4" (DN 20)	1" (DN 25)	1 1/4" (DN 32)	1 1/2" (DN 40)	2" (DN 50)
PRESSIONE/PRESSURE	20bar/290psi	20bar/290psi	20bar/290psi	20bar/290psi	20bar/290psi	20bar/290psi	20bar/290psi	20bar/290psi
CODICE/CODE	1930014G	1930038G	1930012G	1930034G	1930100G	1930114G	1930112G	1930200G
IMBALLO/PACKING	20/260	20/260	20/160	10/130	8/64	5/60	2/36	2/28

MISURA/SIZE	1/4" (DN 8)	3/8" (DN 10)	1/2" (DN 15)	3/4" (DN 20)	1" (DN 25)	1 1/4" (DN 32)	1 1/2" (DN 40)	2" (DN 50)
PRESSIONE/PRESSURE	20bar/290psi	20bar/290psi	20bar/290psi	20bar/290psi	20bar/290psi	20bar/290psi	20bar/290psi	20bar/290psi
CODICE/CODE	1930014GAS	1930038GAS	1930012GAS	1930034GAS	1930100GAS	1930114GAS	1930112GAS	1930200GAS
IMBALLO/PACKING	20/260	20/260	20/160	10/130	8/64	5/60	2/36	2/28

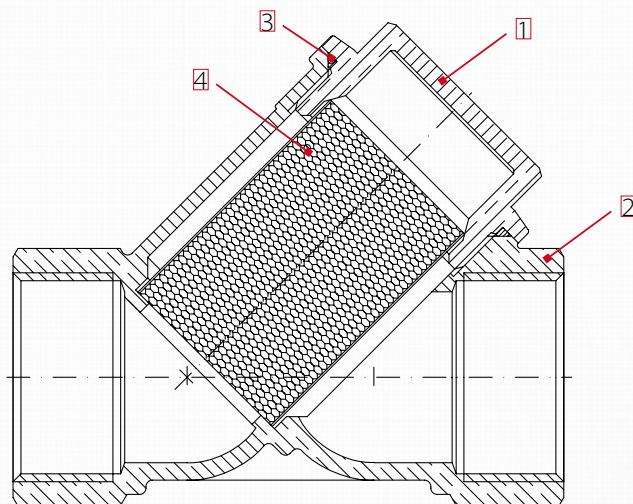
QUOTE DI INGOMBRO - DRAWING



MISURE / SIZE	1/4"	3/8"	1/2"	3/4"	1"	1 1/4"	1 1/2"	2"
DN	8	10	15	20	25	32	40	50
A (mm)	55	55	58	70	87	96	106	126
B (mm)	40	40	40	48	56	64	73	89
PRESS. ATMOSF./WORK. PRESS. Kg/cm ² - bar	20	20	20	20	20	20	20	20
PRESS. ATMOSF. PSI LBS WORK. PRESS	290	290	290	290	290	290	290	290



SCHEDA MATERIALI - MATERIALS



POS.	DESCRIZIONE/DESCRIPTION	Q.TÀ/N.	MATERIALE/MATERIAL
1	Manicotto / End adapter	1	Ottone nichelato / Nickel-plated brass CW617N
2	Corpo / Body	1	Ottone nichelato / Nickel-plated brass CW617N
3	Guarnizione / O-ring	1	Or NBR / NBR - 70SH/A
4	Filtro / Strainer	1	Acciaio / Steel AISI 304

CARTUCCIA - CARTRIDGE

192CA



Grado di filtrazione: 500µm o 300µm o 50µm.

Filtration degree: 500µm or 300µm or 50µm.

MISURA/SIZE	1/4" (DN 8)	3/8" (DN 10)	1/2" (DN 15)	3/4" (DN 20)	1" (DN 25)	1 1/4" (DN 32)	1 1/2" (DN 40)	2" (DN 50)	500µm
CODICE/CODE	192CA014	192CA014	192CA014	192CA034	192CA100	192CA114	192CA112	192CA200	
MISURA/SIZE	1/4" (DN 8)	3/8" (DN 10)	1/2" (DN 15)	3/4" (DN 20)	1" (DN 25)	1 1/4" (DN 32)	1 1/2" (DN 40)	2" (DN 50)	300µm
CODICE/CODE	192CA014G	192CA014G	192CA014G	192CA034G	192CA100G	192CA114G	192CA112G	192CA200G	
MISURA/SIZE	1/4" (DN 8)	3/8" (DN 10)	1/2" (DN 15)	3/4" (DN 20)	1" (DN 25)	1 1/4" (DN 32)	1 1/2" (DN 40)	2" (DN 50)	50µm
CODICE/CODE	192CA014GAS	192CA014GAS	192CA014GAS	192CA034GAS	192CA100GAS	192CA114GAS	192CA112GAS	192CA200GAS	

Certificazioni- Certifications



DIAGRAMMA APERTURA VALVOLA - *DIAGRAM MINIMUM PRESSURE TO GET THE VALVES OPENING*

MISURE / SIZE	3/8"	1/2"	3/4"	1"	1"1/4	1"1/2	2"	2"1/2	3"	4"
Kv	3,43	4,48	7,86	11	16	22	35	60	83	100

Con acqua - With water

